

Print to actual size - US letter

Key

Dashed lines - fold up (hill fold) - - - -

Dotted lines - fold down (valley fold)

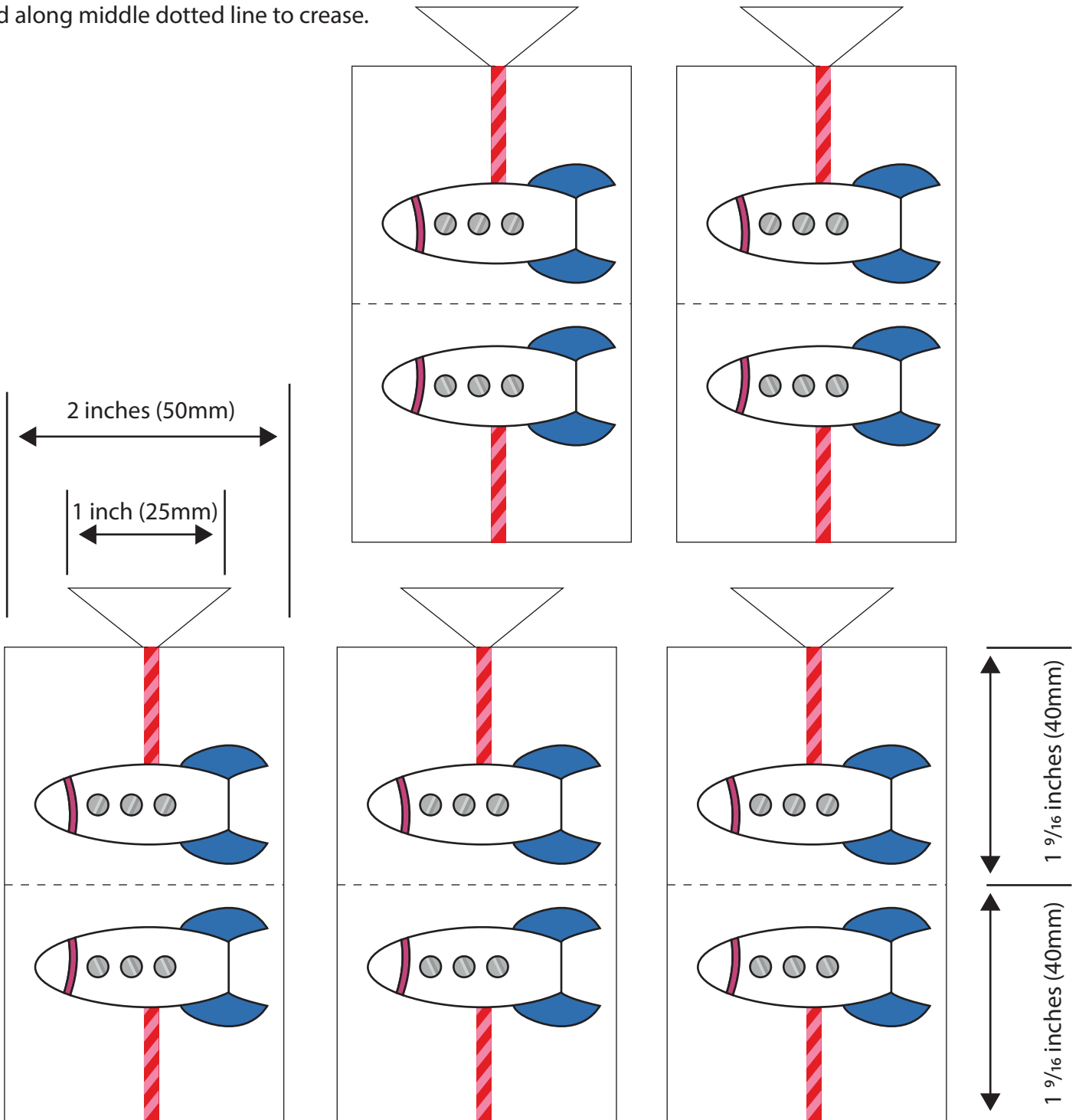
Shaded areas - glue tabs.

Rockets

Print on cardstock/card and

cut out around the outer solid line.

Fold along middle dotted line to crease.

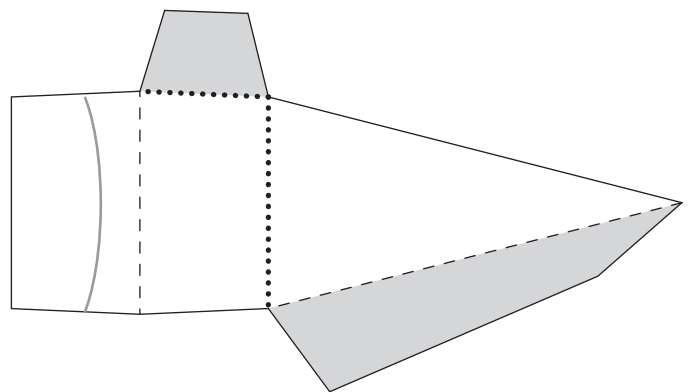
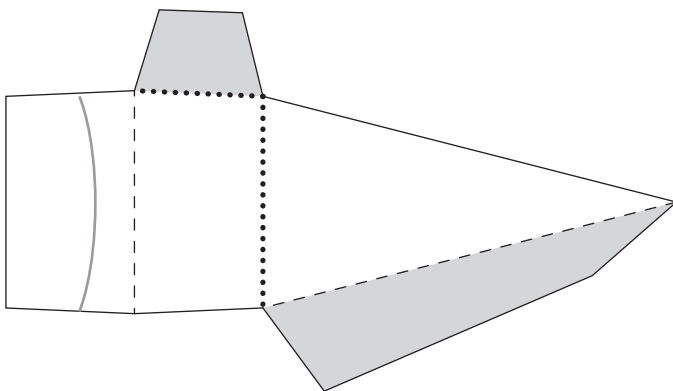
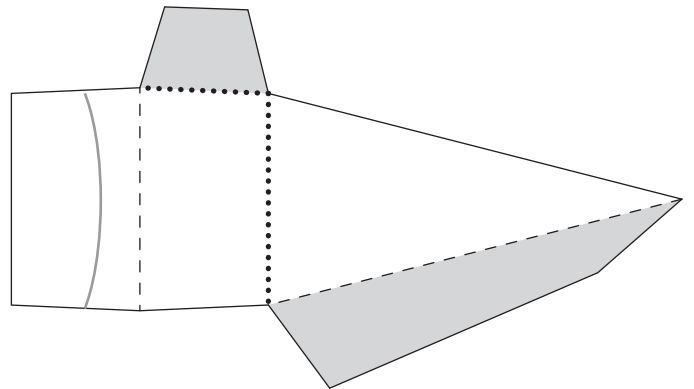
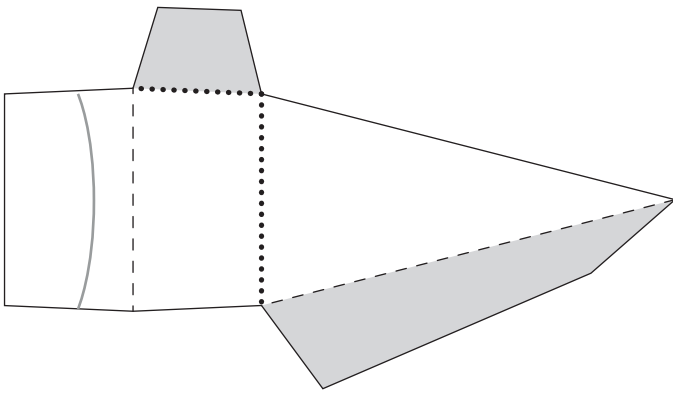
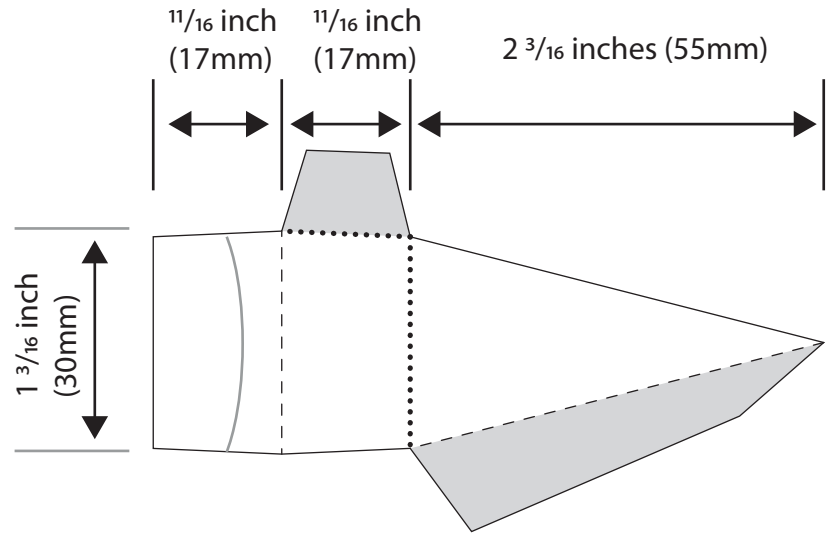


Roof parts

Print on bright cardstock/card and cut out around the outer solid line.
Fold along dotted lines to crease.

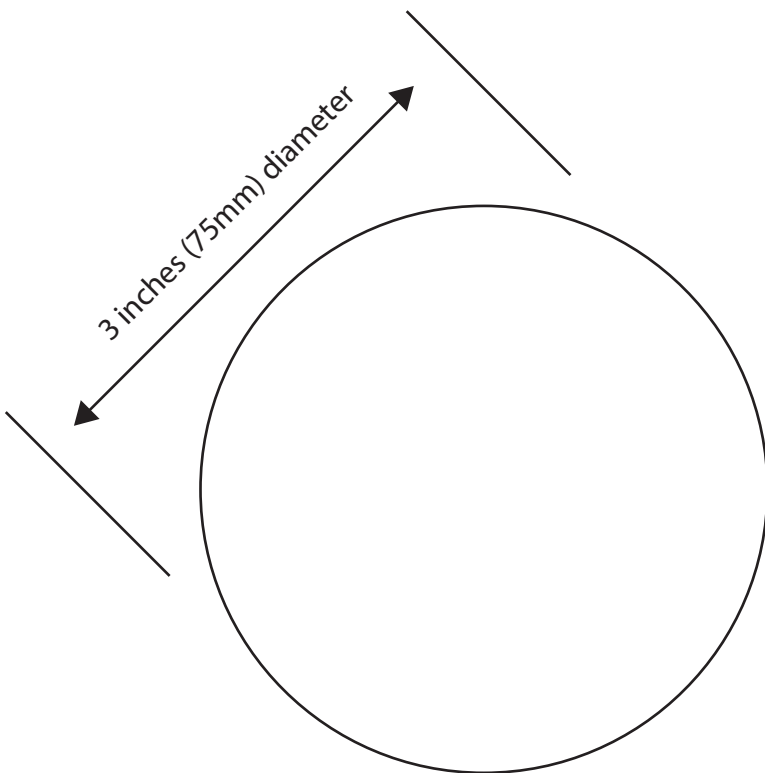
Print the page a second time using a different shade of bright cardstock/card.
Cut out around the outer solid line.
Fold along dotted lines to crease.

You should end up with 10 roof parts in total.



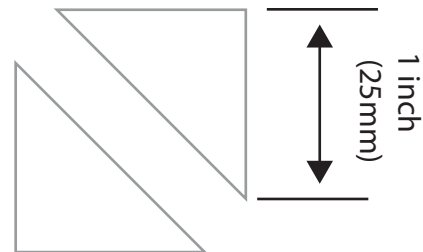
Base circle

Print onto cardstock/card, trace onto corrugated cardboard and cut out.



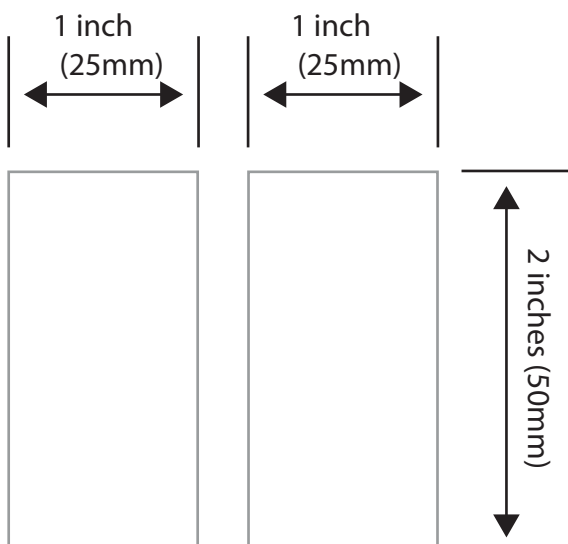
Supporting fillets (2 triangles)

Print onto cardstock/card, trace onto corrugated cardboard and cut out.



Stand: 2 sides

Print onto cardstock/card, trace onto corrugated cardboard or thick, shiny cardstock/card and cut out.



Stand: middle

Print onto cardstock/card, trace onto corrugated cardboard and cut out.

